

APPLICATION:

PRODUCT NAME:
 SINGLE WALL FAUCET

JOB NAME:

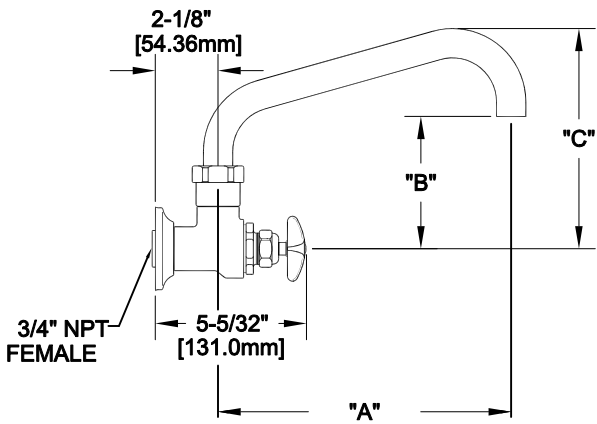
SPECIAL CONFIGURATION
 CHECK BASE MODEL AND OPTIONS

QUANTITY:

ITEM NO.

MODEL:
 5712 W/10" SWING SPOUT
 5714 W/14" SWING SPOUT

OPTIONS OR MODIFICATIONS:
 SUPPLY LINES (24" OR 36") CIRCLE LENGTH
 NIPPLES
 ELBOWS
 HANDLES (CROSS OR WRIST) CIRCLE STYLE
 VANDAL RESISTANT KIT
 OTHER _____



MODEL	DIM "A"	DIM "B"	DIM "C"
5712	10" [254.0mm]	4-1/2" [114.6mm]	7-1/2" [190.8mm]
5714	14" [355.6mm]	5-5/8" [143.2mm]	8-5/8" [219.4mm]

FEATURES:

- * SINGLE WALL
- * SWIVELLING SEAT DISKS
- * STEM - RIGHT HAND
- * STAINLESS STEEL SEATS
- * STAINLESS STEEL SEAT SCREWS
- * STAINLESS STEEL HANDLE SCREWS
- * HOT & COLD INDEX BUTTONS

RECOMMENDED SETTINGS

- * 110°F AT 80 PSI

SYSTEM LIMITS

- * TEMP: 40°F MIN. TO 140°F MAX.
- * PRESSURE 200 PSI MAX. STATIC
- * 29 GPM @ 80 PSI

SHIPPING WEIGHT

- * 8.5 LBS

ROUGH-IN:

